

ECE 443 APPLIED ELECTRONICS - LAB 3

G. Sener

Cankaya University, Electronics and Communication Engineering
Department,
06810, Yenimahalle, Ankara, Turkey.
email: sener@cankaya.edu.tr

Abstract—This lab experiment aims to teach students how to built an ASK modulator.

1. METHODS

Parts: BD243B transistor, $R=47k$, Inductor. 1. Connect the following circuit (Fig.1). Set your baseband signal frequency to 100Hz.

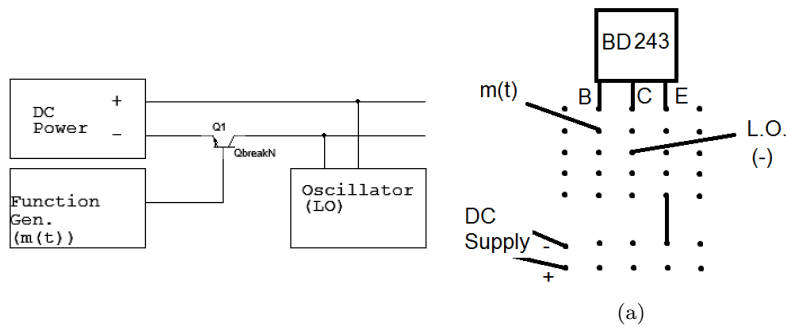


Figure 1. a)Circuit Diagram, b) Circuit Layout

2. Observe the modulated waveform and draw it in your lab notebook.
3. Observe the modulated waveform in the frequency domain by taking its Fourier transform through your scope.